

Survey Antenna HX-CSX601A

HIGH PERFORMANCE MULTI- CONSTELLATION ANTENNA FOR GIS SURVEYING



HIGH PHASE CENTER STABILITY

The HX-CSX601A features a multi-point feeding design to achieve greater phase center stability. It effectively improves measurement accuracy and provides better RTK solution. And HX-CSX601A has passed the international NGS certificate test.

TRACKING IN CHALLENGING ENVIRONMENTS

The ability to receive low elevation signals with high gain and wide beam width makes HX-CSX601A an excellent choice for tracking visible satellites under challenging conditions, providing the positioning solutions with precision and reliable data. It can be widely used in agriculture tractors, unmanned vessels, also for autonomy vehicles, GIS surveying where high precision operations are needed.

STRONG ANTI-INTERFERENCE PERFORMANCE

The antenna LNA features an excellent out-of-band rejection performance, which can suppress the electromagnetic interference, providing the stability and reliability of GNSS signals. Also it effectively avoids disconnection dangerous when receivers are operated under complex electromagnetic environments such as communication base station and busy urban area.

RUGGEDIZED PROTECTION

The light weight and small size HX-CSX601A antenna can lighten the loads of small unmanned vehicles, as well as a standard TNC female connector for easy integration. Its IP67 ruggedized design can protect it from dust and water.

KEY FEATURES

- Support GPS, Glonass, Galileo, Beidou, QZSS, IRNSS, L-Band and SBAS signal reception
- Stable phase center guarantees the accuracy of positioning within millimeter-level
- Strong anti-interference ability to endure the harshest operating environments
- IP67 ruggedized protection

Survey Antenna HX-CSX601A

PERFORMANCE

Signal Received

GPS	L1/L2/L5/L-Band
GLONASS	L1/L2/L3
GALILEO	E1/E5a/E5b/E6
BDS	B1/B2/B3
QZSS	L1/L2/L3/E6
IRNSS	L5
SBAS	L1/L5

Nominal Impedance 50Ω

Polarization RHCP

Axial Ratio ≤3dB

Gain at Zenith (90°)

1164-1300MHz	6dBi(maximum)
1520-1615MHz	5.5dBi(maximum)

LNA Gain 40dB(typical)

Noise Figure ≤2dB

Output/Input VSWR ≤2.0

Operation Voltage +3.3 to +12VDC

Operation Current 45mA(maximum)

Group Delay Ripple <5ns

MECHANICAL

Dimensions φ173.4×62.6mm

Connector TNC female

Weight ≤500g

Mounting BSW5/8"-11 screw, 12-14mm

ENVIRONMENTAL

Temperature

Operating -40°C to +85°C

Storage -55°C to +85°C

Humidity 95% non-condensing

Water/Dust Resistance IP67

Regulatory Compliance NGS, CE, FCC, RoHS

For the most recent details of this product:

<http://en.harxon.com/products-detail.php?Proid=47>

en.harxon.com

sales@harxon.com

9/F, Block B, Building D3, TCL International
E City, NO.1001 Zhongshanyuan Road,
Nanshan District, Shenzhen, China

Tel: +86-755-26989948

Fax: +86-755-26989994

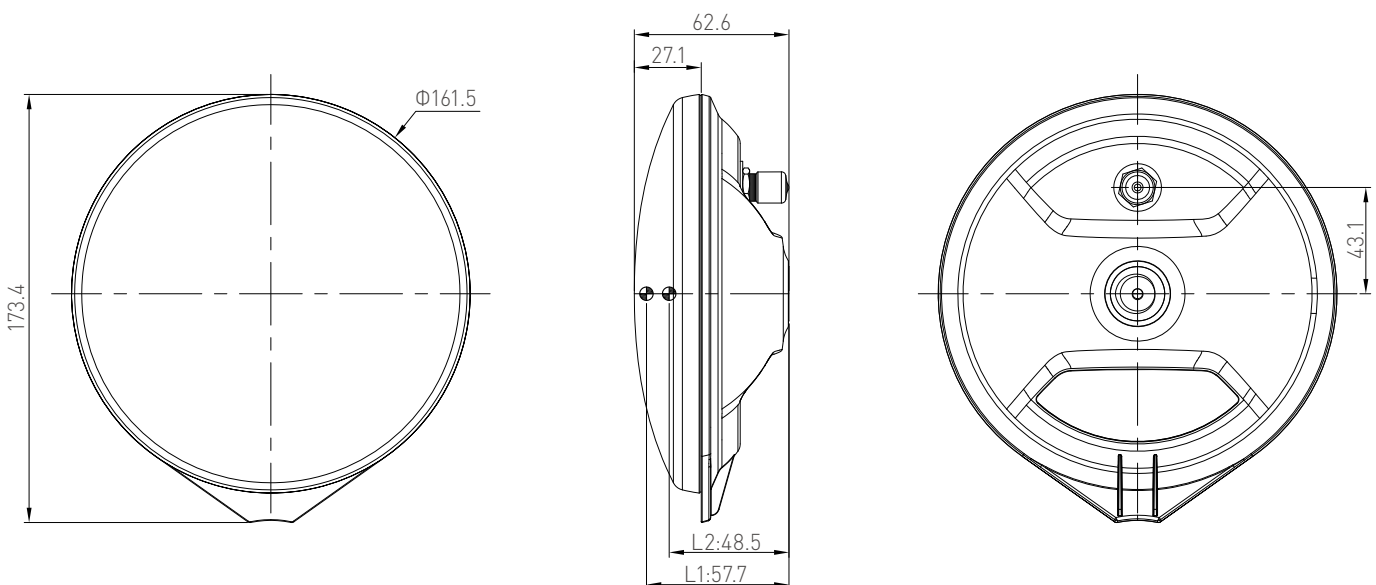
Version 2 Specifications subject to change without notice.

©2020 Harxon Corporation. All rights reserved.

Printed in China

December 2019

Structure& Phase Center Drawing (mm)



TOP VIEW

SIDE VIEW

BOTTOM VIEW

Undeclared tolerance:±0.3mm